

Data Sheet

CF2⁺ Wireless Floor Heating Control System

CF-Rx Room Thermostats

Application



CF-RS



CF-RP



CF-RD



CF-RF

CF-Rx is a range of room thermostats for Danfoss' CF2⁺ wireless floor heating control system.

CF-Rx thermostats communicate with the CF-MC Master Controller via 2-way wireless transmission. All thermostats includes a Link Test function for easy status indication of the wireless signal and a LED warning for low battery.

The room thermostats are available in 4 versions:

CF-RS Standard Thermostat

- Easy wireless assignment with Link Test to Master Controller CF-MC.
- Min. and max. limitation of temperature settings.
- Powered by 2 x AA Alkaline 1.5V batteries.
- LED indication for low battery.

CF-RP Public (tamperproof) Thermostat

- Easy wireless assignment with Link Test to Master Controller CF-MC.
- Min. and max. limitation of temperature settings.
- Powered by 2 x AA Alkaline 1.5V batteries.
- LED indication for low battery.
- Hidden set point adjustment for use in childrens rooms, schools, office buildings etc.

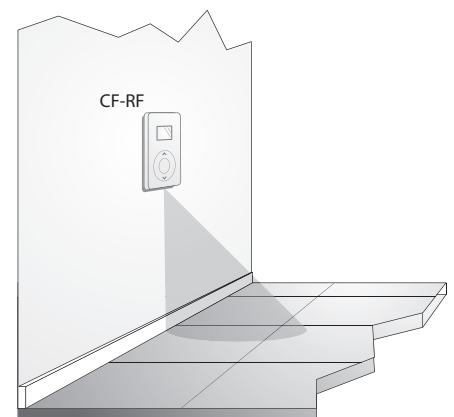
CF-RD Display Thermostat

- Easy wireless assignment with Link Test to Master Controller CF-MC.
- Min. and max. limitation of temperature settings.

- Powered by 2 x AA Alkaline 1.5V batteries.
- LED indication for low battery.
- Digital display showing actual or set room temperature.

CF-RF Display Thermostat with InfraRed floor sensor


- Easy wireless assignment with Link Test to Master Controller CF-MC.
- Min. and max. limitation of temperature settings.
- Powered by 2 x AA Alkaline 1.5V batteries.
- LED indication for low battery.
- Digital display showing actual or set room temperature.
- InfraRed floor sensor for minimum and maximum floor surface temperature limitation.



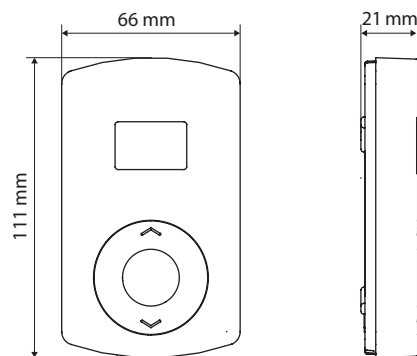
Ordering

Product	Type	Code no.
Standard room thermostat	CF-RS	088U0210
Public (tamperproof) room thermostat	CF-RP	088U0211
Room thermostat with digital display	CF-RD	088U0214
Room thermostat with digital display and InfraRed floor sensor	CF-RF	088U0215

Technical specifications

Supply voltage	2 x 1.5 Alkaline batteries AA
Battery life	CF-RS & CF-RP: 3-4 years CF-RD & CF-RF: 1-3 years
Transmission frequency	868.42 MHz
Transmission range	up to 30 m (in normal buildings)
Transmission power	< 1 mW
Temperature setting range	5-35° C
Approvals	CE
Standard	EN 60730
Directives	R&TTE, EMC
IP class	21
ErP class	 (2%)
Weight	120 g

Dimensions



Danfoss A/S

Floor Heating Hydronics • Ulvehavevej 61 • DK-7100 Vejle • Denmark • Phone: +45 7488 8500 • Fax: +45 7488 8501
heating@danfoss.com • www.floorheating.danfoss.com

Danfoss can accept no responsibility for possible errors in catalogues, brochures and other printed material. Danfoss reserves the right to alter its products without notice. This also applies to products already on order provided that such alterations can be made without subsequential changes being necessary in specifications already agreed.
All trademarks in this material are property of the respective companies. Danfoss and the Danfoss logotype are trademarks of Danfoss A/S. All rights reserved.