

# Thermostats

## Types KT, KTM, DTM, DTO 1, DTO 1A, AT



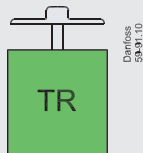
### General Data Sheet

For specific information on this product, please contact Danfoss Burner Components

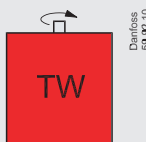
#### Function abbreviations

The functions of the thermostats are described by the following symbols and abbreviations.

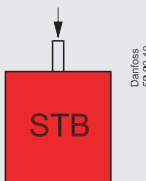
#### TR Boiler thermostat



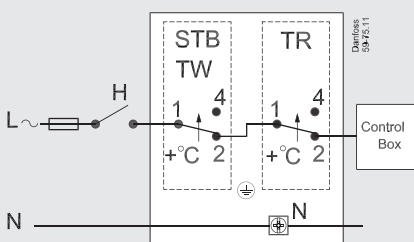
#### TW High limit thermostat



#### STB High temperature cutout (Safety temperature cutout)



#### Electrical connection



The range of thermostats for central heating systems meets the demands for reliable control of boiler and liquid temperatures, high temperature limitation and high/safety temperature cutout.

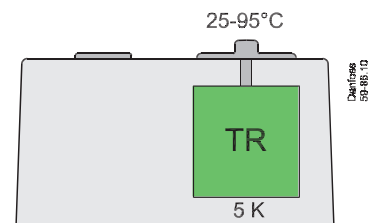


### Immersion thermostats

#### Boiler thermostat

##### Type KT

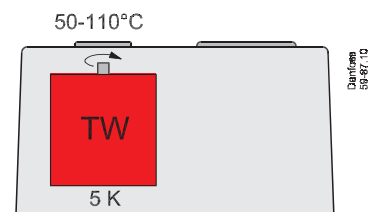
- Oil and gas burner heating systems
- Oil preheating systems
- Boiler and flow temperature control
- G ½ A × 110/150 mm sensor pockets available



#### High limit thermostat

##### Type KTM

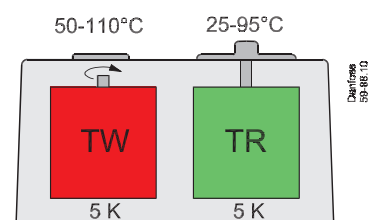
- Oil and gas burner heating systems
- Protection against over-temperature
- High temperature limitation with automatic cut-in
- G ½ A × 110 mm sensor pocket available



#### Boiler and high limit thermostat

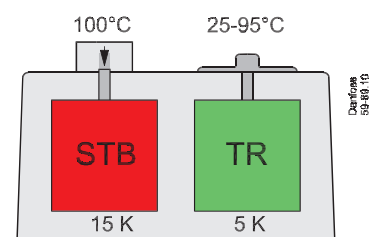
##### Type DTM

- Oil and gas burner heating systems
- Boiler and flow temperature control and protection against over-temperature
- High temperature limitation with automatic cut-in
- G ½ A × 110/150 mm sensor pockets available



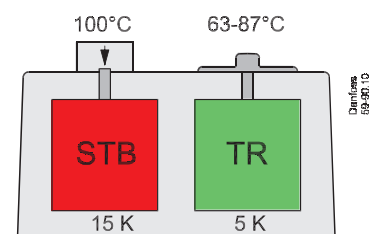
### Boiler thermostat and high temperature cutout Type DTO 1

- Oil and gas burner heating systems
- Boiler and flow temperature control and protection against over-temperature
- High temperature cutout with manual reset (fail safe)
- G <sup>3</sup>/<sub>4</sub> A × 90/205 mm sensor pockets available



### Boiler thermostat and high temperature cutout Type DTO 1A

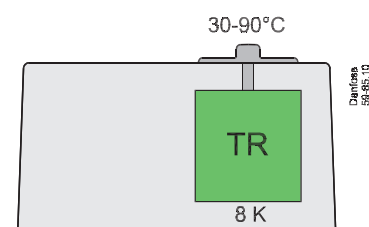
- Steel plate boilers
- Control and min. limitation to 63°C and protection against over-temperature
- High temperature cutout with manual reset (fail safe)
- G <sup>1</sup>/<sub>2</sub> A × 110/150 mm sensor pockets available



## Pipe thermostat

### Type AT

- Boilers and hot water systems
- Control of boiler, flow and hot water tank temperature
- NO and NC contacts
- Mounting without emptying the system
- Steel band for pipes G <sup>1</sup>/<sub>2</sub> -3 included

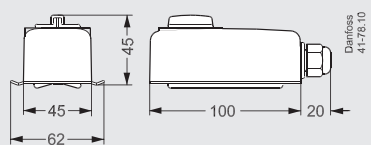


## Technical Data

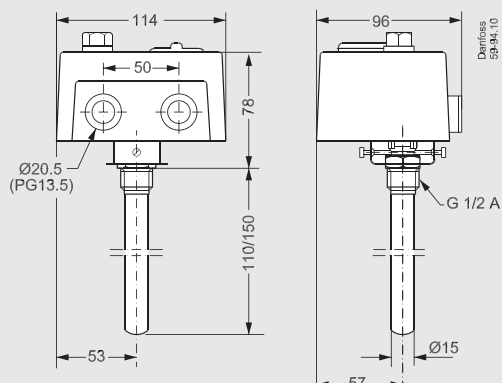
	KT	KTM	DTM	DTO 1	DTO 1A	AT	
Temperature range TR	°C	25-95		25-95	25-95	63-87	30-90
Temperature differential TR	K	5		5			8
Temperature range TW	°C		50-110	50-110			
Temperature differential TW	K		5	5			
Break temperature STB	°C				100	100	
Max. sensor temperature	°C	Ts130					Ts90
Max. pressure to sensor	bar	40					
Max. ambient temperature	°C	Ts85					
Switch system TR, TW, STB		SPDT					
Switch load TR, TW		16 (2.5) A/250 V~ 10 (1.5) A/400 V~					6 (2.5) A/250 V~ 0.1A/250 V -
Switch load STB		1-2: 16 (2.5) A/250 V~ 1-4: 0.5 A/250 V~					
Enclosure		IP 40					
Weight	g	400	400	465	425	430	160
Cable connection		2-off Ø 20.5 mm for PG 13.5					PG 69

TR: Boiler thermostat  
TW: High limit thermostat  
STB: High temperature cutout

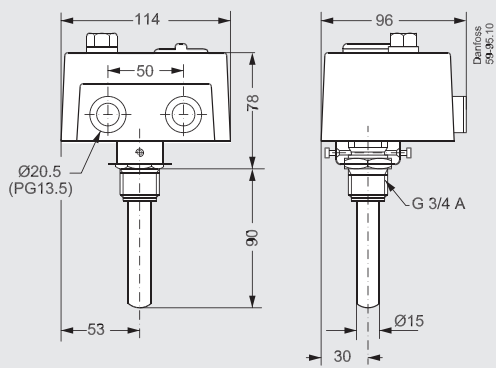
**Dimensions**



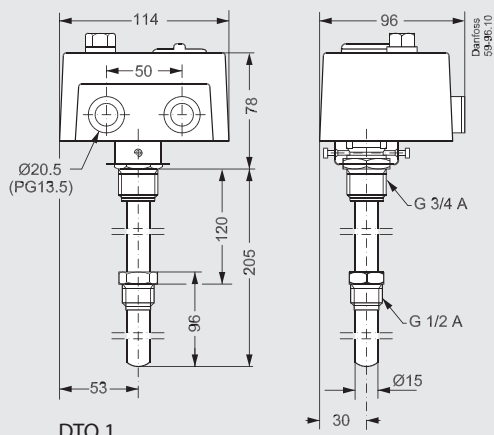
AT



KT, KTM, DTM, DTO 1A



DTO 1



DTO 1

