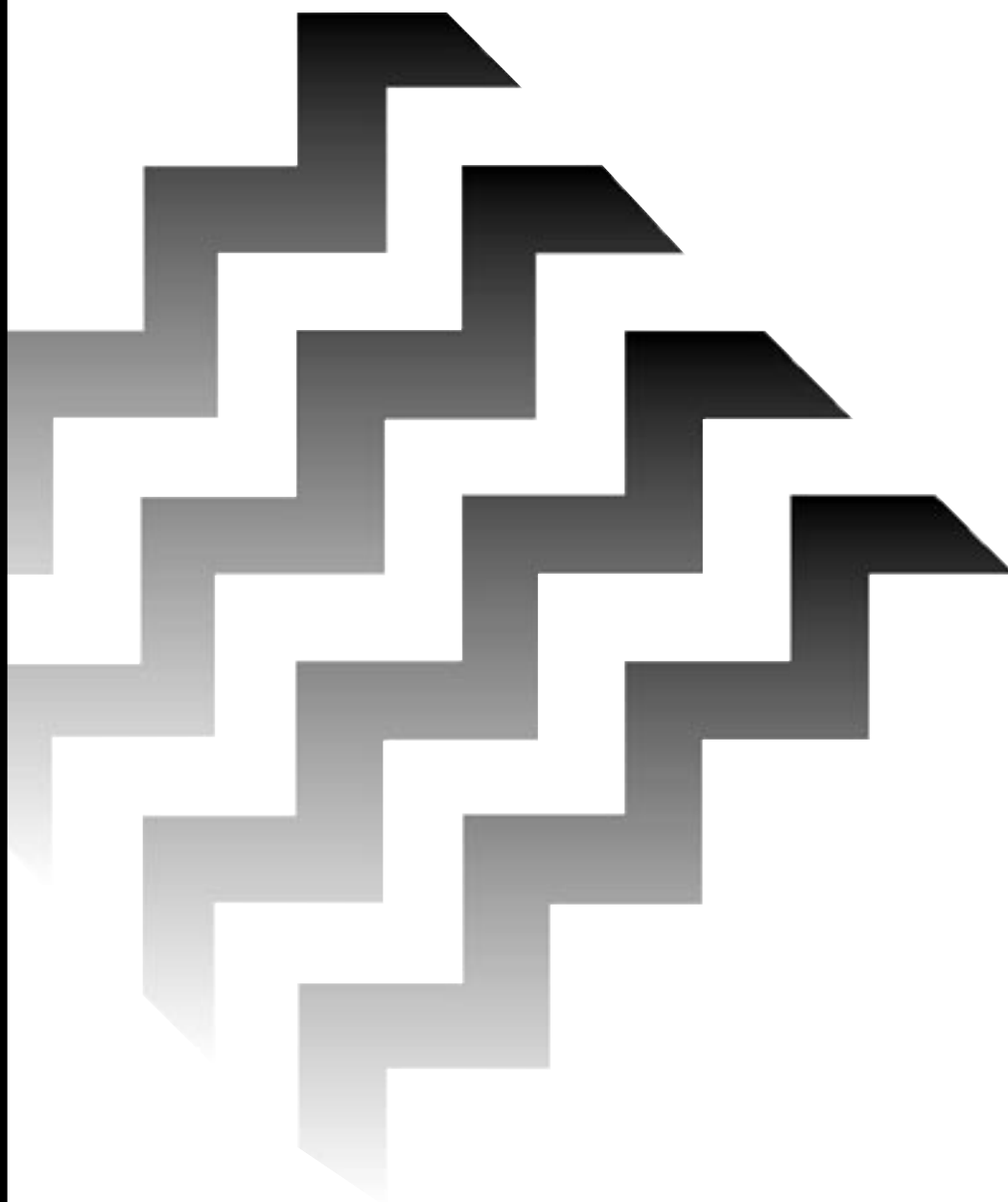


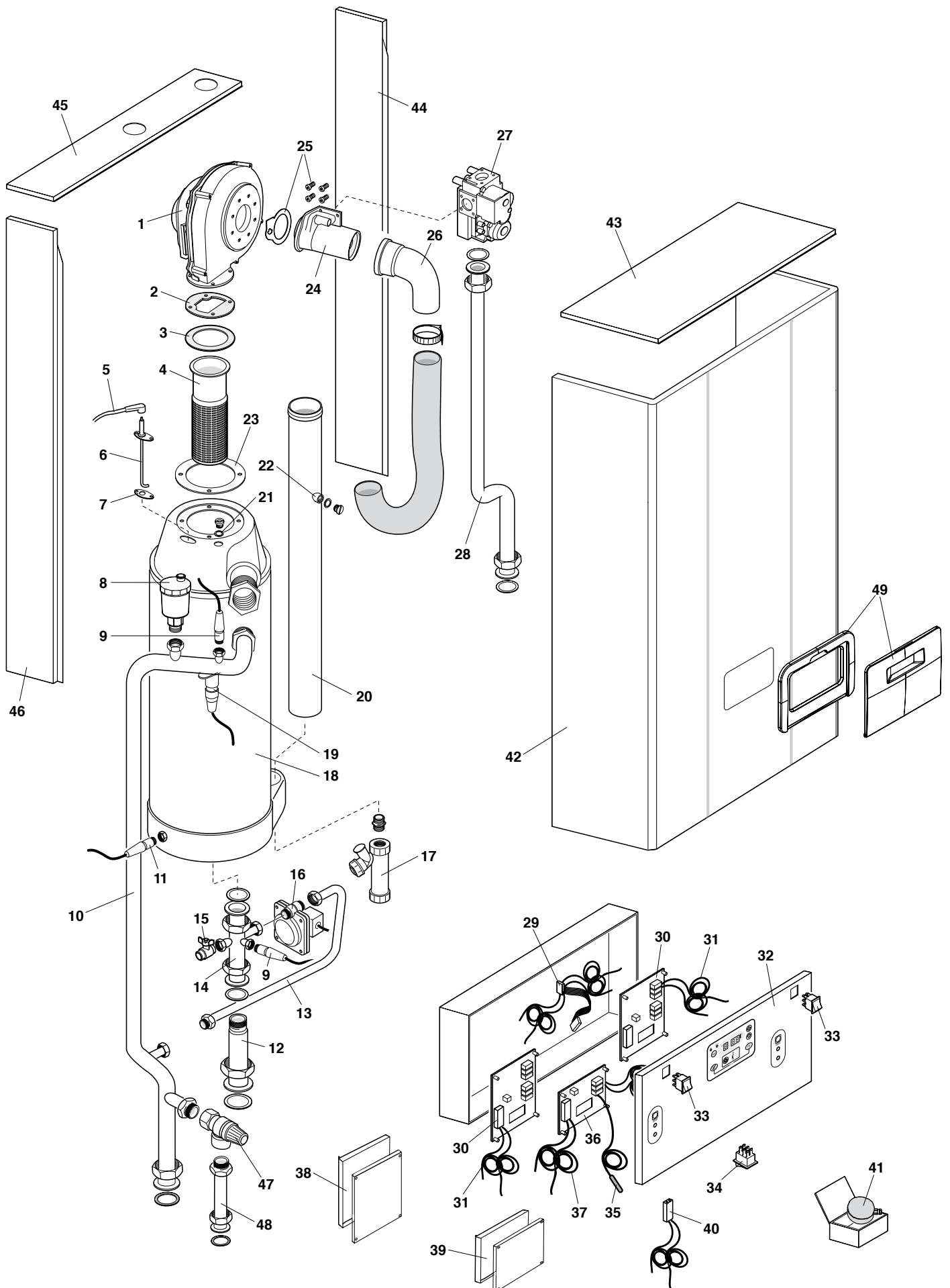
CALDAIE MURALI
WALL HUNG GAS BOILER
GASVARMAPPARAT TIL WÆGMONTERING
FALI GÁZKAZÁN
ŚCIENNY PIECYK GAZOWY

Catalogo ricambi
Spare parts list
Reservedelkatalog
Alkatrészkatálogos
Catalog cu Piese de Schimb

POWER PLUS



 **Beretta**



Modelli

POWER PLUS

POS.	DESCRIZIONE	1150853	1150863	1150873
1	Ventilatore		R105931	
2	Guarniz. silic. testa bruciatore		R105903	
3	Guarniz. viton Sp.2mm 97x75		R105917	
4	Bruciatore premix		R105913	
5	Cavo accensione		R105901	
6	Elettrodo accens./rilevazione		R105914	
7	Guarnizione candela accensione		R105916	
8	Valvola sfiato aria 1/2"		R105930	
9	Sonda NTC Immersione 1/8"F		R100030	
10	Tubo uscita scambiatore		R106337	
11	Sonda fumi NTC		R105922	
12	Tubo		R106251	
13	Tubo collegamento pressostato		R106253	
14	Tubo ingresso scambiatore		R105971	
15	Rubinetto scarico caldaia		R105912	
16	Pressostato differenziale		R106252	
17	Sifone condensa attacco rapido		R105919	
18	Scambiatore condensazione		R105918	
19	Termostato 90°-10° max		R105926	
20	Tubo Pp D=50 L=1000		R105927	
21	Guarnizione teflon Ptfе 8x4x2 1/8		R105904	
22	Presa analisi fumi		R105910	
23	Flangia per condotto scambiatore		R105915	
24	Venturi		R105932	
25	Kit Guarnizioni+Viti per venturi		R105908	
26	Curva Pp D=50 con 1 bicchiere		R105902	
27	Valvola gas		R106250	
28	Tubo ingresso gas		R105970	
29	Cablaggio Base		R105898	
30	Scheda Slave Pijnenburg		R105921	
31	Cablaggio Slave		R105900	
32	Pannello portastrumenti con coperchio	R106847	R106847	R105974
33	Interruttore On-Off Verde		R105906	
34	Interruttore On/Off Tondo Verde		R105907	
35	Sonda Temperatura St07 Cm200		R105924	
36	Scheda Master Pijnenburg	R105920	R105920	-----
37	Cablaggio Master	R105899	R105899	-----
38	Scatola scheda Slave		R105974	
39	Scatola scheda Master		R105973	
40	Cablaggio seriale		R106254	
41	Sonda esterna	R104654	R104654	-----
42	Pannello frontale	R106848	R106848	R106372
43	Pannello superiore anteriore		R105965	
44	Pannello destro		R105968	
45	Pannello superiore posteriore		R105975	
46	Pannello sinistro		R105969	
47	Valvola di sicurezza 5,5 bar		R106615	
48	Tubo scarico valvola di sicurezza		R106339	
49	Assieme cornice	R106849	R106849	-----

Models

POWER PLUS

Pos.	DESCRIPTION	1150853	1150863	1150873
1	Fan		R105931	
2	Burner Head Silicone Gasket		R105903	
3	Viton Gasket 6000 2mm thick 97x75		R105917	
4	Premix Burner		R105913	
5	Ignition Cable		R105901	
6	Ignition/Detection Electrode		R105914	
7	Siliconit Gasket for Ignition Plug		R105916	
8	Air Vent Valve 1/2"		R105930	
9	NTC Immersion Probe 1/8"F		R100030	
10	Exchanger outlet pipe		R106337	
11	NTC Flue Gas Probe		R105922	
12	Pipe		R106251	
13	Pressure Switch Connection Pipe		R106253	
14	Exchanger inlet pipe		R105971	
15	Boiler Drain Cock		R105912	
16	Differential pressure switch		R106252	
17	Condensate Drain Trap Quick Fit		R105919	
18	Condensing Exchanger		R105918	
19	Thermostat 90°-10° Max		R105926	
20	PP Pipe D=50 L=1000		R105927	
21	PTFE Teflon Gasket 8x4x2 1/8		R105904	
22	Flue Gas Analysis Test Point		R105910	
23	Fe Flange For Exchanger Pipe		R105915	
24	Venturi		R105932	
25	Gasket+Screw Kit for Venturi		R105908	
26	PP Bend D=50 With 1 Bell		R105902	
27	Gas Valve		R106250	
28	Gas inlet pipe		R105970	
29	Main Wiring		R105898	
30	Slave Board		R105921	
31	Slave Wiring		R105900	
32	Instrument Panel with cover	R106847	R106847	R105974
33	Green On-Off Switch		R105906	
34	Round Green On/Off Switch		R105907	
35	Temperature Probe St07 200cm		R105924	
36	Master Board	R105920	R105920	-----
37	Master Wiring	R105899	R105899	-----
38	Slave board box		R105974	
39	Master board box		R105973	
40	Serial cables		R106254	
41	Outside probe	R104654	R104654	-----
42	Front panel	R106848	R106848	R106372
43	Top front panel		R105965	
44	Right panel		R105968	
45	Top rear panel		R105975	
46	Left panel		R105969	
47	5,5 bar safety valve		R106615	
48	Safety valve drain pipe		R106339	
49	Cover	R106849	R106849	-----

Model

POWER PLUS

POS.	BESKRIVELSE	1150853	1150863	1150873
1	Ventilator		R105931	
2	Silik. pakn. brænderhoved		R105903	
3	Viton pakn. Sp.2mm 97x75		R105917	
4	Premix brænder		R105913	
5	Tændingskabel		R105901	
6	Tændings-/målelektrode		R105914	
7	Tændrørpakning		R105916	
8	Luftudlader 1/2"		R105930	
9	NTC dyksonde 1/8"F		R100030	
10	Udgangsrør varmeveksler		R106337	
11	NTC røggassonde		R105922	
12	Rør		R106251	
13	Forbindelsesrør pressostat		R106253	
14	Indgangsrør varmeveksler		R105971	
15	Aftapningshane kedel		R105912	
16	Differenspressostat		R106252	
17	Vandlås kondensatsamling lynkobling		R105919	
18	Kondensatveksler		R105918	
19	Termostat 90°-10° max		R105926	
20	Rør Pp D=50 L=1000		R105927	
21	Teflonpakning Ptfæ 8x4x2 1/8		R105904	
22	Røggasanalysested		R105910	
23	Flange til vekslerør		R105915	
24	Venturi		R105932	
25	Kit m. pakninger + Skruer til venturi		R105908	
26	Runding Pp D=50 med 1 skål		R105902	
27	Gasventil		R106250	
28	Gasindløbsrør		R105970	
29	Basiskabelføring		R105898	
30	Pijnenburg slavekort		R105921	
31	Slavekabelføring		R105900	
32	Instrumentpanel og dæksel	R106847	R106847	R105974
33	Grøn tænd-/slukafbryder		R105906	
34	Rund, grøn tænd-/slukafbryder Interruptor		R105907	
35	Temp. sonde St07 Cm200		R105924	
36	Pijnenburg masterkort	R105920	R105920	-----
37	Masterkabelføring	R105899	R105899	-----
38	Slavekortæske		R105974	
39	Masterkortæske		R105973	
40	Serie kabelføring		R106254	
41	Udendørs sonde	R104654	R104654	-----
42	Forpanel	R106848	R106848	R106372
43	Øverste forpanel		R105965	
44	Højre panel		R105968	
45	Øverste bagpanel		R105975	
46	Venstre panel		R105969	
47	5,5 bar Sikkerhedsventil		R106615	
48	Afløbsrør sikkerhedsventil		R106339	
49	Panel og dæksel	R106849	R106849	-----

Modell

POWER PLUS

Poz.	LEÍRÁS	1150853	1150863	1150873
1	Ventilátor		R105931	
2	Égőfej szilikon tömítés		R105903	
3	97x75 2mm vast. viton tömítés		R105917	
4	Előkeveréses égő		R105913	
5	Gyújtókábel		R105901	
6	Gyújtó-/Mérőelektróda		R105914	
7	Gyújtógyertya tömítés		R105916	
8	1/2" légtelenítő szelep		R105930	
9	1/8"F merülő NTC szonda		R100030	
10	Hőcserélő kimeneti cső		R106337	
11	NTC füstgáz-szonda		R105922	
12	Cső		R106251	
13	Presszosztát csatlakozócső		R106253	
14	Hőcserélő bemeneti cső		R105971	
15	Kazán leeresztőcsap		R105912	
16	Differenciál presszosztát		R106252	
17	Gyorscsatlakozós kondenzvíz szifon		R105919	
18	Kondenzációs hőcserélő		R105918	
19	max. 90°-10° termosztát		R105926	
20	PP cső D=50 L=1000		R105927	
21	8x4x2 1/8 PTFE teflon tömítés		R105904	
22	Füstgáz elemző nyílás		R105910	
23	Karima hőcserélő csővezetékhez		R105915	
24	Venturi-cső		R105932	
25	Tömítés+csavar készlet Venturi-csőhöz		R105908	
26	1 tokos PP könyök D=50		R105902	
27	Gázszelep		R106250	
28	Gázbevezető cső		R105970	
29	Alap kábelezés		R105898	
30	Pijnenburg Slave kártya		R105921	
31	Slave kábelezés		R105900	
32	Műszertartó panel és fedél	R106847	R106847	R105974
33	Zöld Be-Ki kapcsoló		R105906	
34	Interruptor kerek zöld Be-Ki kapcsoló		R105907	
35	St07 Cm200 hőm. szonda		R105924	
36	Pijnenburg Master kártya	R105920	R105920	-----
37	Master kábelezés	R105899	R105899	-----
38	Slave kártya doboz		R105974	
39	Master kártya doboz		R105973	
40	Soros kábelezés		R106254	
41	Külső szonda	R104654	R104654	-----
42	Elülső lemez	R106848	R106848	R106372
43	Felső elülső lemez		R105965	
44	Jobboldali lemez		R105968	
45	Felső hátulsó lemez		R105975	
46	Baloldali lemez		R105969	
47	Biztonsági szelep 5,5 bar		R106615	
48	Biztonsági szelep leeresztőcső		R106339	
49	Panel és fedél	R106849	R106849	-----

Model

POWER PLUS

Poz.	DESCRIERE	1150853	1150863	1150873
1	Ventilator		R105931	
2	Garnitura. silic. Duză de arzător		R105903	
3	Garnitura. viton Sp.2mm 97x75		R105917	
4	Arzător preamestec		R105913	
5	Cablu aprindere		R105901	
6	Electrod aprindere/relevare		R105914	
7	Garnitura bujei de aprindere		R105916	
8	Valvă de purjare a aerului 1/2"		R105930	
9	Sondă NTC Imersiune 1/8"F		R100030	
10	Țeavă ieșire schimbător		R106337	
11	Sondă fum NTC		R105922	
12	Țeavă		R106251	
13	Țeavă racordare presostat		R106253	
14	Țeavă intrare schimbător		R105971	
15	Robinet de evacuare al centralei		R105912	
16	Presostat diferențial		R106252	
17	Sifon condens racord rapid		R105919	
18	Schimbător condensatie		R105918	
19	Termostat 90°-10° max		R105926	
20	Țeavă Pp D=50 L=1000		R105927	
21	Garnitură teflon Ptfе 8x4x2 1/8		R105904	
22	Priză analiză fum		R105910	
23	Flanșă pentru conducta schimbătorului		R105915	
24	Venturi		R105932	
25	Kit Garnituri+Șuruburi pentru venturi		R105908	
26	Cot Pp D=50 cu 1 bucușă		R105902	
27	Valvă gaze		R106250	
28	Țeavă intrare gaze		R105970	
29	Cablaj de bază		R105898	
30	Plăcuța Slave Pijnenburg		R105921	
31	Cablaj Slave		R105900	
32	Panou cu suport pt. Instrum. Și capac	R106847	R106847	R105974
33	Înterupător On-Off Verde		R105906	
34	Înterupător On/Off Rotund Verde		R105907	
35	Sondă Temp. St07 Cm200		R105924	
36	Plăcuță Master Pijnenburg	R105920	R105920	-----
37	Cablaj Master	R105899	R105899	-----
38	Cutie plăcuța Slave		R105974	
39	Cutie plăcuța Master		R105973	
40	Cablaj serial		R106254	
41	Sondă externă	R104654	R104654	-----
42	Panou frontal	R106848	R106848	R106372
43	Panou superior anterior		R105965	
44	Panou dreapta		R105968	
45	Panou superior posterior		R105975	
46	Panou stânga		R105969	
47	Supapă de siguranță 5,5 bar		R106615	
48	Țeavă de evacuare supapă de siguranță		R106339	
49	Panou Și capac	R106849	R106849	-----



Via Risorgimento, 13 - 23900 Lecco (LC)
Tel. 199.13.31.31 - Fax 0341-368.071
E-Mail: beretta@berettacaldaie.it - E-Mail assistenza: sat@berettacaldaie.it