

Rampe gas Gas trains

MONOSTADIO - 1st STAGE

3970180

3970181

3970182 *

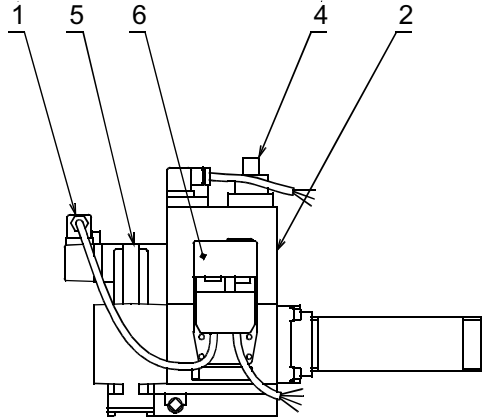
BISTADIO - 2nd STAGE

3970183

3970184

3970185 *

Rampa monostadio - 1st stage gas train



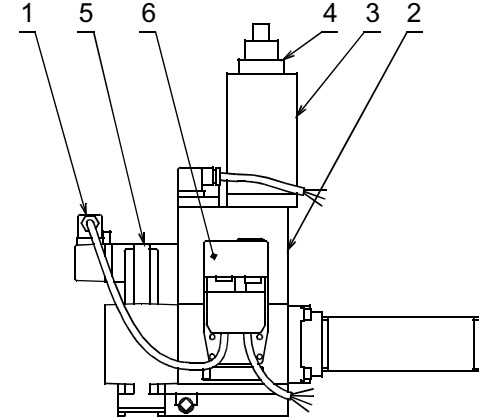
Rp 1"1/2

3970180

Rp 2"

3970181
3970182

Rampa bistadio - 2nd stage gas train



Rp 1"1/2

3970183

Rp 2"

3970184
3970185

N.	COD.	Monostadio 1st stage			Bistadio 2nd stage			DESCRIZIONE	DESCRIPTION	NOTE - NOTES
		3970180	3970181	3970182	3970183	3970184	3970185			
1	3012196	•	•	•	•	•	•	PRESSOSTATO	PRESSURE SWITCH	
2	3008530	•						BOBINA 1° STADIO	1st STAGE COIL	
2	3012882		•	•				BOBINA 1° STADIO	1st STAGE COIL	
2	3008527				•			BOBINA 1° STADIO	1st STAGE COIL	
2	3012822					•	•	BOBINA 1° STADIO	1st STAGE COIL	
3	3008526					•		BOBINA 2° STADIO	2nd STAGE COIL	
3	3012824					•	•	BOBINA 2° STADIO	2nd STAGE COIL	
4	3008524	•			•			FRENO	BRAKE	
4	3012826	•	•	•		•	•	FRENO	BRAKE	
5	3012827	•	•	•	•	•	•	PARTE FILTRANTE	FILTER PART	
6	3012220			•			•	CONTROLLO DI TENUTA	VALVE PROVING SYSTEM	