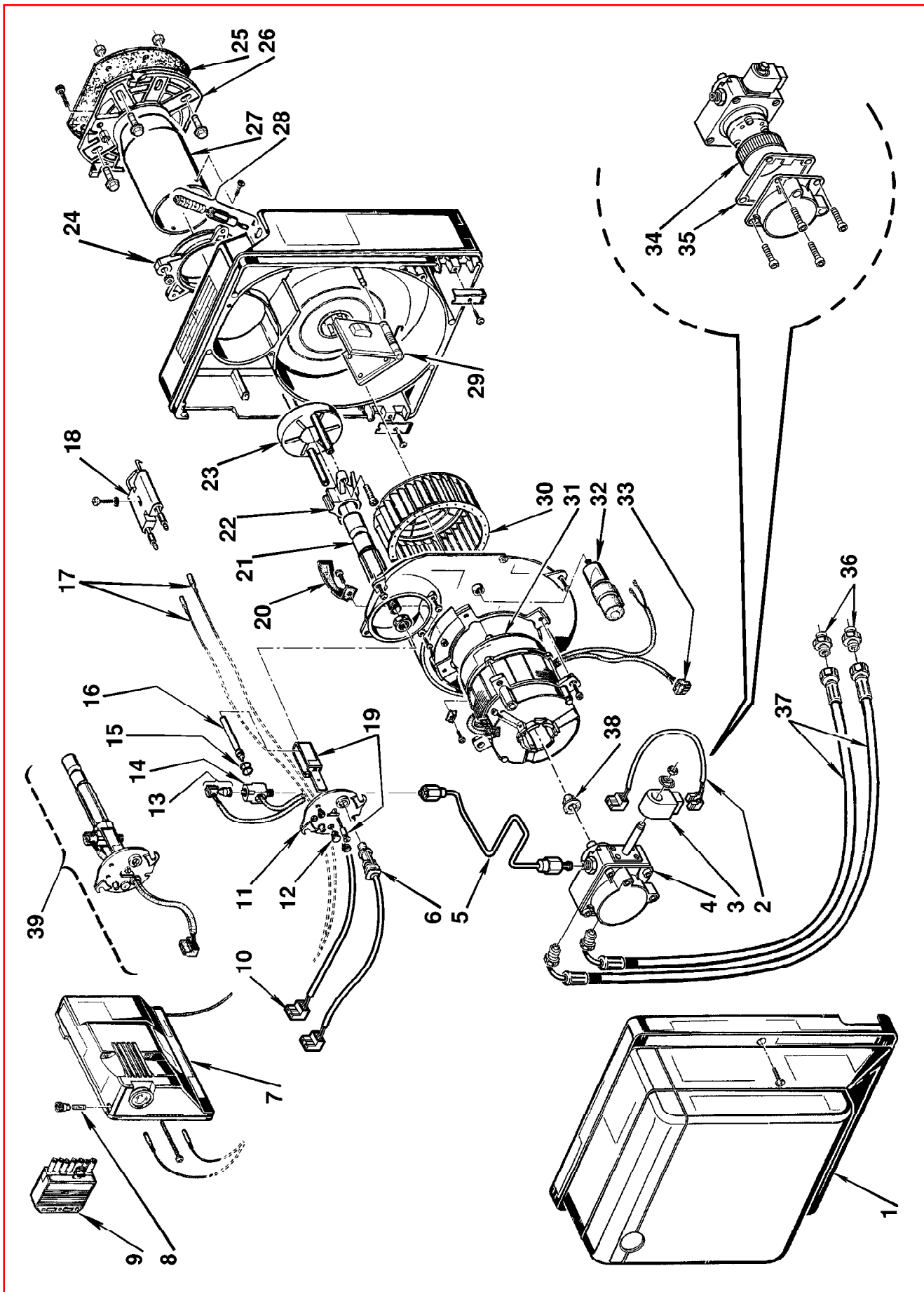


Bruciatore di gasolio • Light oil burner • Brûleur fioul • Öl-Gebläsebrenner
 Quemador de gasóleo

Gulliver RG1R

COD. **3736420**

TIPO / TYPE / TYP **364T2**



N.	COD.	DESCRIZIONE	DESCRIPTION	DESCRIPTION	BESCHREIBUNG	DENOMINACIÓN
1	3008080	COFANO	COVER	CAPOT	BRENNERHAUBE	ENVOLVENTE
2	3002496	COLLEGAMENTO	LEAD COIL	CABLE DE CONNEXION	ANSCHLUßKABEL MAGNETSPULE	CABLES ELECTROVÁLVULA
3	3002451	BOBINA	COIL	BOBINE	MAGNETVENTIL - SPULE	BOBINA
4	3002495	POMPA SUNTEC	SUNTEC PUMP	POMPE SUNTEC	SUNTEC ÖLPUMPE	BOMBA SUNTEC
5	3002502	TUBO	TUBE	TUYAU	DRUCKROHR	TUBO
6	3007839	FOTORESISTENZA	P.E. CELL	CELLULE PHOTORESISTANCE	FOTOWIDERSTAND	FOTORESISTENCIA
7	3008883	APPARECCHIATURA 553SE/H	CONTROL BOX 553SE/H	BOITE DE CONTROLE 553SE/H	STEUERGERÄT 553SE/H	CAJA DE CONTROL 553SE/H
8	3007396	FUSIBILE	FUSE	FUSIBLE	FEINSICHERUNG	FUSIBLE
9	3006937	SPINA A 7 POLI	7 PIN PLUG	FICHE 7 POLES	7 - POLIGER STECKER	CONECTOR MACHO DE 7 CONTAC.
10	3007456	PRESA (Termostato/PTC)	SOCKET (Thermostat/PTC)	PRISE (Thermostat/PTC)	STECKDOSE (Vorwärmer/Thermostat)	CONECTOR (Termost. PTC)
11	3007510	COPERCHIO	COVER	COUVERCLE	DÜSENSTOCK-FLANSCH	TAPA
12	3007458	VETRINO	VIEWING PORT	REGARD	VERSCHLUßSTOFEN	MIRILLA
13	3007462	TERMOSTATO	THERMOSTAT	THERMOSTAT	VORWÄRMETHERMOSTAT	TERMOSTATO
14	3007463	RACCORDO	CONNECTOR	MAMELON	HALTERUNG VORWÄRMETHERMOSTAT	RACORD
15	3007172	ANELLO OR	O-RING	JOINT TORIQUE	O-RING-DICHTUNG	JUNTA TÓRICA
16	3007464	RISCALDATORE PTC	HEATER PTC	RECHAUFFEUR PTC	VORWÄRM-PTC-DÜSENSTOCK	RESISTENCIA PTC
17	3007465	COLLEGAMENTO A.T.	HIGH VOLTAGE LEAD	CABLE HAUTE TENSION	KABEL ZÜNDELEKTRODEN	CABLES ELECTRODOS
18	3007617	GRUPPO ELETTRODI	ELECTRODE ASSEMBLY	GROUPE ELECTRODES	ELEKTRODENBLOCK	CONJUNTO ELECTRODOS
19	3007620	STAFFA E VITE	BRACKET AND SCREW	SUPPORT ET VIS	DÜSENSTOCKHALTERUNG	SOPORTE ARRASTRE Y TORNILLO
20	3007475	CONVOGLIATORE	SUCTION DUCT	CONVOYEUR D'AIR	LUFTLEITBLECH	GUÍA
21	3007467	PORTAUGELLO	NOZZLE HOLDER	PORTE GICLEUR	DÜSENSTOCK	PORTABOQUILLA
22	3007466	SUPPORTO	SUPPORT	PORTE ACCROCHEUR	STAUSCHEIBENHALTERUNG	SOPORTE
23	3002614	ELICA	DIFFUSER DISC	ACCROCHE FLAMME	STAUSCHEIBE	DISCO ESTABILIZADOR
24	3007515	COLLARE	COLLAR	COLLIER	BRENNERFLANSCH	COLLARÍN
25	3005787	SCHERMO	GASKET	JOINT ISOLANT	KESSELFLANSCH-DICHTUNG	JUNTA AISLANTE
26	3008636	FLANGIA	FLANGE	BRIDE	KESSELFLANSCH	BRIDA
27	3007618	BOCCAGLIO	BLAST TUBE	GUEULARD	FLAMMROHR	TUBO LLAMA
28	3008937	REGOLATORE SERRANDA	AIR DAMPER REGULATOR	SYSTEME REGLAGE D'AIR	LUFTREGULIERUNG	REGULADOR REGISTRO AIRE
29	3008815	SERRANDA ARIA	AIR DAMPER	VOLET D'AIR	LUFTKLAPPE	REGISTRO DEL AIRE
30	3007476	GIRANTE	FAN	TURBINE	GEBLÄSERAD	TURBINA
31	3008489	MOTORE	MOTOR	MOTEUR	MOTOR	MOTOR
32	3007479	CONDENSATORE 4µF	CAPACITOR 4µF	CONDENSATEUR 4µF	KONDENSATOR 4µF	CONDENSADOR 4 µF
33	3007454	PRESA MOTORE	MOTOR SOCKET	PRISE MOTEUR	STECKDOSE FÜR MOTOR	CONECTOR MOTOR
34	3003082	FILTRO	FILTER	FILTRE	FILTREINSATZ ÖLPUMPE	FILTRO
35	3003081	GUARNIZIONE	SEAL	JOINT	DICHTUNG	JUNTA
36	3009068	RACCORDO	CONNECTOR	MAMELON	ANSCHLUßNIPPEL PUMPE	RACORD
37	3006934	TUBO FLESSIBILE	FLEXIBLE OIL LINE	FLEXIBLE	ÖLSCHLAUCH	TUBO FLEXIBLE
38	3000443	GIUNTO	JOINT	ACCOUPLMENT	PUMPENKUPPLUNG	ACOPLAMIENTO
39	3007656	ASSIEME PORTAUGELLO Comprende le pos. : 10-11-12 14-16-19-20-21-22.	NOZZLE HOLDER ASSEMBLY Includes codes: 10-11-12 14-16-19-20-21-22.	PORTE GICLEUR Comprend les pos. : 10-11-12 14-16-19-20-21-22.	DÜSENSTOCK Beinhalter Pos. : 10-11-12 14-16-19-20-21-22.	CONJUNTO PORTABOQUILLA Incluye las pos. : 10-11-12 14-16-19-20-21-22.