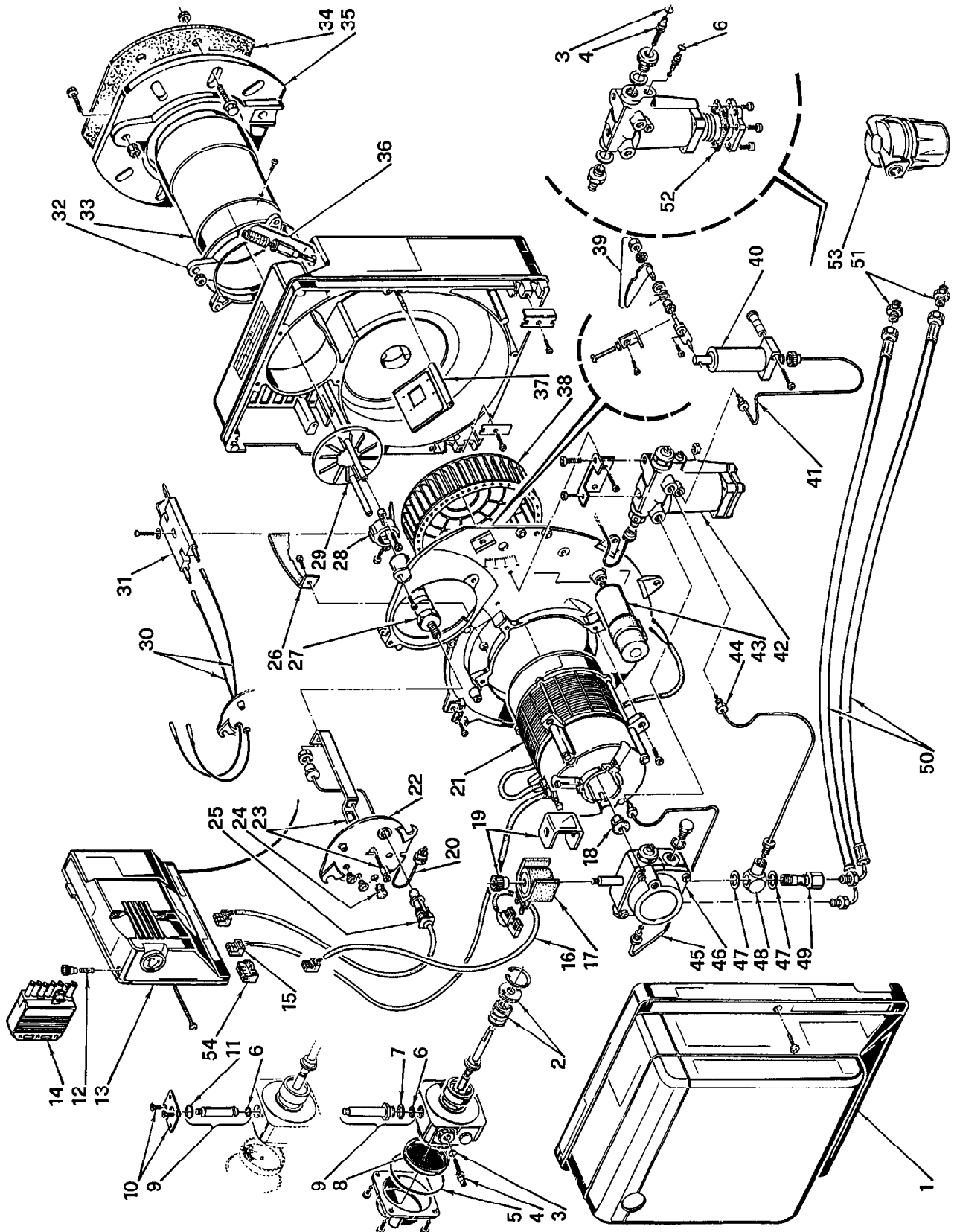


Bruciatore di gasolio • Oil burner • Brûleur fioul domestique • Öl-Gebläsebrenner
Stookoliebrander

Gulliver RG4S

COD. **3739625**

TIPO / TYPE / TYP **396T1**



N. COD.	DESCRIZIONE	DESCRIPTION	DESCRIPTION	BESCHREIBUNG	BENAMING	MATRICOLA BRUCIATORE BURNER SERIAL NUMBER MATRICULE BRULEUR BRENNER KENN-NUMMER REGISTRATIENR. BRANDER
1	3007641	COFANO	COVER	CAPOT	BRANDERKAP	
2	3000439	ORGANO DI TENUTA	PUMP SEAL	ORGANE D'ETANCHEITE	ASDICHTING	
3	3007028	ANELLO ORO - RING	JOINT TORIQUE	O - RING	DICHTING O - RING	
4	3007202	REGOLATORE	REGULATOR	REGULATEUR	REGELAAR	
5	3007162	ANELLO OR	O - RING	JOINT TORIQUE	DICHTING O - RING	
6	3007156	ANELLO OR	O - RING	JOINT TORIQUE	DICHTING O - RING	
7	3007173	ANELLO OR	O - RING	JOINT TORIQUE	DICHTING O - RING	
8	3005719	FILTRO	FILTER	FILTRE	FILTER	
9	3007582	VALVOLA	NEEDLE VALVE	VALVE	NADELVENTIL	
12	3007396	FUSIBILE	FUSE	FUSIBLE	ZEKERING	
13	3008883	APPARECCHIATURA 533SE	CONTROL BOX 533SE	BOITE DE CONTROLE 533SE	CONTOLEDOOS 533SE	
14	3006937	SPINA A 7 POLI	7 PIN PLUG	FICHE 7 POLES	7 - POLIGE STECKER	
15	3007454	PRESA (Motore)	SOCKET (Motor)	PRISE (Moteur)	VR. STEKKER(Motor)	
16	3007772	COLLEGAMENTO	LEAD	CABLE DE CONNEXION	VERBINDINGSKABEL	
17	3007565	BOBINA	COIL	BOBINE	SPOEL	
18	3000443	GIUNTO	JOINT	ACCOUPLMENT	KOPPELING	
19	3007566	MANTELLO E POMELLO	SHELL AND KNOB	ETRIER ET ECROU	BEUGEL EN MOER	
20	3007869	TUBO	TUBE	TUYAU	DRUKLEIDING	
21	3008492	MOTORE	MOTOR	MOTEUR	MOTOR	
22	3007642	COPERCHIO	COVER	COUVERCLE	DEKSEL	
23	3007644	STAFFA E VITE	BRACKET AND SCREW	SUPPORT ET VIS	DRAAGBEUGEL EN SCHRO	
24	3007458	VETRINO	VIEWING PORT	REGARD	KIJKGLAS	
25	3007839	FOTORESISTENZA	P.E. CELL	CELLULE PHOTORESIST.	FOTOCCEL	
26	3007651	CONVOGLIATORE	SUCTION DUCT	CONVOYEUR D'AIR	LUFTLEITBLECH	
27	3007496	PORTAUGELLO	NOZZLE HOLDER	PORTE GICLEUR	SPROEIERHOUDER	
28	3007466	PORTAPORTO	SUPPORT	PORTE ACCROCHEUR	HOUDER VLAMMAKER	
29	3007645	ELICA	DIFFUSER DISC	ACCROCHE FLAMME	VLAMHOUDER	
30	3007465	COLLEGAMENTO A.T.	HIGH VOLTAGE LEAD	CABLE HAUTE TENSION	HOOGSPANNINGSKABEL	
31	3007495	GRUPPO ELETTRODI	ELECTRODE ASSEMBLY	GROUPE ELECTRODES	ELECTRODENGROEP	
32	3007646	COLLARE	COLLAR	COLLIER	TEGENFLENS	
33	3007868	BOCCAGLIO	BLAST TUBE	GUEULARD	BRANDERKOP	
34	3005813	SCHERMO	GASKET	JOINT	DICHTING	
35	3005814	FLANGIA	FLANGE	BRIDE	FLENS	
36	3007648	REGOLATORE SERRANDA	AIR DAMPER REGULATOR	SYSTEME REGLAGE D'AIR	LUCHTREGELINGSYSTEEM	
37	3007650	SERRANDA	AIR DAMPER	VOLET AIR	LUCHTKLEP	
38	3007652	GIRANTE	FAN	VENTILATEUR	VENTILATOR	
39	3008567	REGOLATORE SERRANDA	AIR DAMPER REGULATOR	SYSTEME REGLAGE D'AIR	LUCHTREGELINGSYSTEEM	
40	3007784	MARTINETTO	HYDRAULIC JACK	VERIN AIR	VIJZEL LUCHTREGELING	
41	3007783	TUBO	TUBE	TUYAU	DRUKLEIDING	
42	3007870	RITARDATORE IDRAULICO	HYDRAULIC DELAYING DEVICE	RETARDATEUR HYDRAULIQUE	VERTRAGER	
43	3007655	CONDENSATORE 6,3 µF	CAPACITOR 6,3 µF	CONDENSATEUR 6,3 µF	KONDENSATOR 6,3 µF	
44	3007780	TUBO	TUBE	TUYAU	DRUKLEIDING	
45	3007788	TUBO	TUBE	TUYAU	DRUKLEIDING	
46	3007809	POMPA	PUMP	POMPE	POMP	
47	3007079	GUARNIZIONE	SEAL	JOINT	PAKKING	
48	3005805	RACCORDO	CONNECTOR	MAMELON	NIPPEL	
49	3005804	PERNO	PIN	RACCORD TROUE	GEBOORD KOPPELSTUK	

